

series 3 Powerful HVLS Fan

Strong and Gentle Breeze

Powerful HVLS Fan series 3 is suitable for cooling a large space, it reduces body temperature efficiently and heat dissipation evenly. The high-efficiency BLDC direct-drive motor shows remarkable results and does not require regular oil change for long-term use. This is your top choice for long-term investment in commercial space.



BLDC Motor

More than 90% of, motor efficiency, gearless direct drive motor, no need for regular lubrication maintenance.



Energy Saving

Series 3 achieve carbon neutral by saving 55% power consumption and save more than 43,212 trees. (Based on Fan Size:3M)



Silence Design

Patented airfoil design, it reduces the wind noise and provides smooth airflow.



Safety First

Sunon applied unibody yoke to prevent potential risks from cracking or rusting if yoke production process is not proper.

► Specification

Diameter	2.5 m (8 ft)	3 m (10 ft)	3.6 m (12 ft)	4.2 m (14 ft)
Weight	27.39 kg	29.77 kg	32.57 kg	35.44 kg
Speed	150 RPM	100 RPM	70 RPM	56 RPM
Power Consumption	335 W	232 W	176 W	171 W
Noise	<40 dB(A)			
Power source	200-240 VAC			
Environment	Indoor			
Control	RF Controller/BMS(MODBUS)/AIoT/Touch Panel			

*Weight - fan unit only, the controller, the mount and the extension tube are not included.

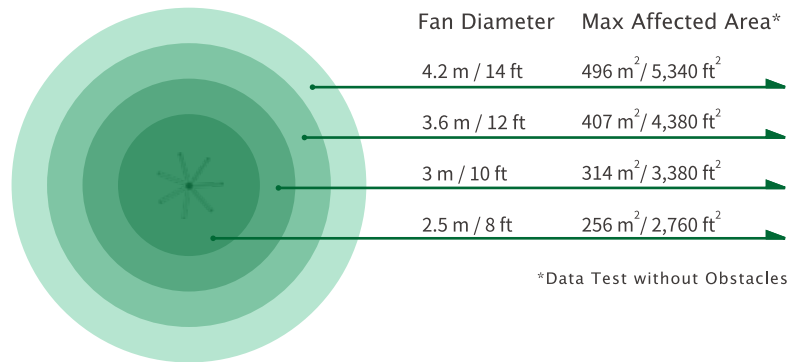
*Environment - This product is not suitable for salt air environments.

* The above specifications are test from SUNON Lab and the data will be affected by different environmental conditions.

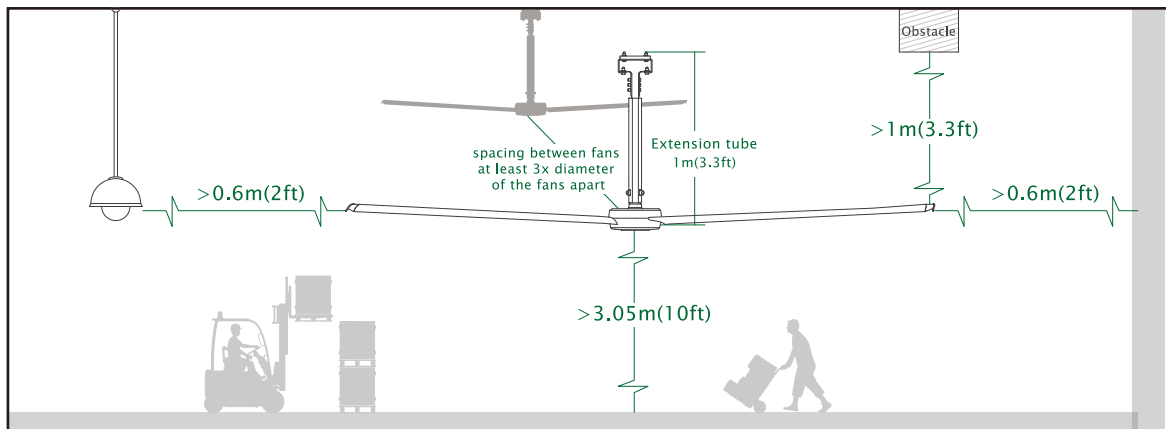
* Specifications are subject to change without notice. Final spec. please visit SUNON website at www.sunon.com.



► Air Volume



► The Placement & Clearance between Fan and Obstructions



► Facility Type

exhibition hall, bookstore, cafe, library, museum, office, meeting room, hotel lobby, hospital, fitness center, home, factory, warehousing