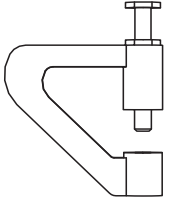


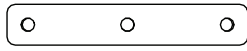
GUY WIRE INSTALLATION FOR Z-PURLINS

⚠ WARNING: Disconnect power to fan before installing guy wires.

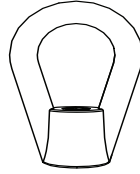
Parts and hardware



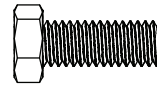
(8) 3/8-16 Purlin Clamps



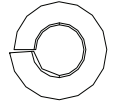
(4) Purlin Attachment Bars



(4) 3/8-16 Eye Nuts



(12) 3/8-16 x 1" Hex Head Cap Screws



(12) 3/8" Split Washers

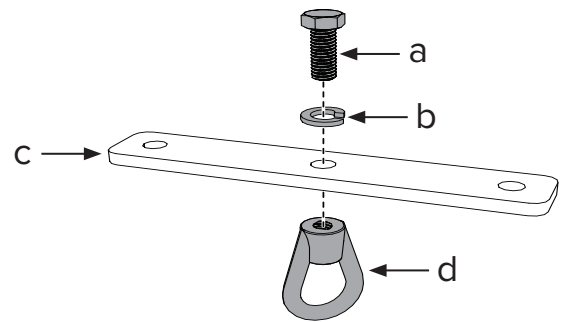
Installation

1. Attach eye nut to purlin attachment bar

Attach the eye nut to the purlin attachment bar. Make sure the eye nut is oriented with its opening facing approximately 45° from the attachment bar's horizontal plane.

Parts and Hardware:

- a. 3/8-16 x 1" Hex Head Cap Screw
- b. 3/8" Split Washer
- c. Purlin Attachment Bar
- d. 3/8-16 Eye Nut

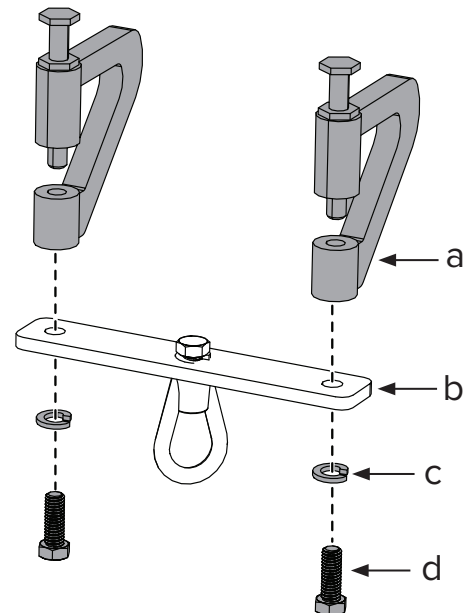


2. Attach purlin clamps to purlin attachment bar

Attach the purlin clamps to the purlin attachment bar.

Parts and Hardware:

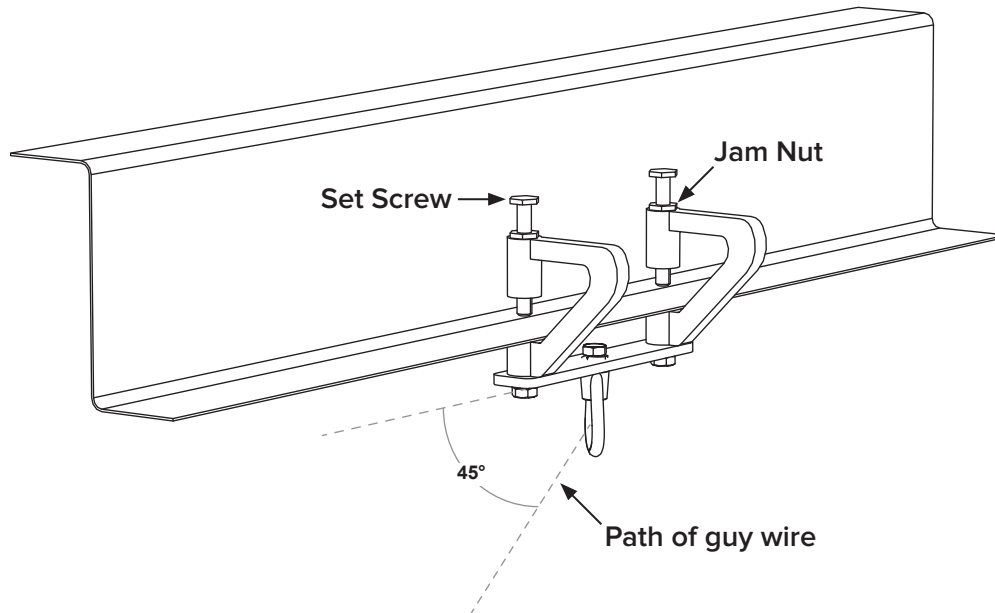
- a. (2) 3/8-16 Purlin Clamps
- b. Purlin Attachment Bar
- c. (2) 3/8" Split Washers
- d. (2) 3/8-16 x 1" Hex Head Cap Screws



3. Secure purlin clamps to Z-purlin

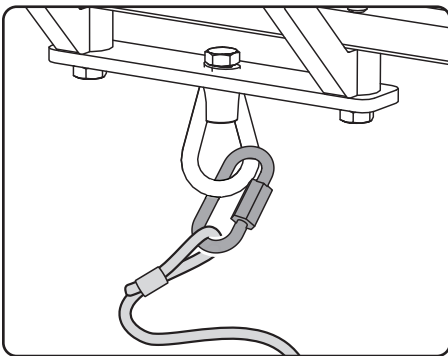
Position the purlin clamps below the Z-purlin. The guy wire should be approximately 45° from the horizontal plane. Place the purlin clamps accordingly. Fully tighten the set screws and jam nuts to secure the clamps to the Z-purlin.

For best results, the guy wires should be installed at 45° in the X-Y, Y-Z, and X-Z planes as shown in the guy wire installation instructions provided with the fan. If the angle deviates by more than 15°, contact Customer Service for assistance.



4. Attach guy wire to eye nut

Loop the guy wire through a carabiner and secure the carabiner to the eye nut.



5. Secure guy wire to fan

Refer to the guy wire installation instructions provided with the fan for instructions on securing the loose end of the guy wire to the fan.

6. Install three remaining guy wires

Repeat steps 1–5 to install the three remaining guy wires.

