

SIDEKICK

Sidekick is the trusted and versatile solution for industry-leading airflow on the go. Durable engineered with an impact-resistant frame and a gearless direct-drive motor for quiet, powerful performance, it redefines what barrel fan technology should be. Whether you need to cool people and products, dissipate fumes and odors, or rapidly dry slick surfaces, Sidekick's always got your back.



KEY FEATURES

- ▶ **Six-blade design** with a sleek, vented frame
- ▶ **Variable speed control** with adjustable dial
- ▶ **Conveniently sized** for quick use and easy storage
- ▶ **Indoor and outdoor ready** with an IPX5 rating
- ▶ **Permanent-magnet motor** for quiet, efficient performance
- ▶ **Arrives pre-assembled** for immediate use

DIAMETER

48 INCHES
(122 CM)

FRAME

**OSHA-COMPLIANT STEEL CAGE
WITH LOCKING SWIVEL CASTERS**

VOLTAGE

**110-125 OR
200-240 VAC**

WARRANTY

**UP TO
3 YEARS**



BIG ASS FANS

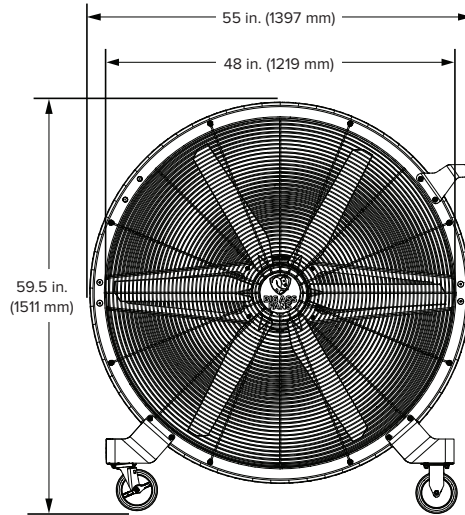
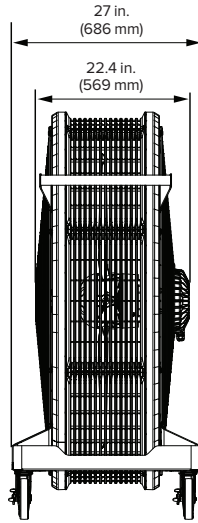
**EXCEPTIONALLY
ENGINEERED**

**DISCOVER MORE
ABOUT SIDEKICK**

Learn more at bigassfans.com/sidekick
or call **877.BIG.FANS** for a free custom quote.

SIDEKICK

THE MOST ADVANCED BARREL FAN EVER CREATED



Technical Specifications

Input power and required breaker	Amperage	Wattage	Airflow	Operating Temperature	Sound at max speed ¹	Weight
110–125 VAC, 50/60 Hz, 1 Φ, 15 A	7.5 A	615 W	15,000 CFM	32° to 104° F (0° to 40° C)	73.3 dBA	180 lb (81.6 kg)
200–240 VAC, 50/60 Hz, 1 Φ, 10 A	3.9 A	553 W				

Construction Features

Cage and Frame	Blades	Motor and Controller	Power Supply	IP Rating ²	Warranty	Colors
Steel frame with durable and vented, OSHA-compliant HDPE shroud Four lockable swivel casters 6 in. (152 mm) wheels with rubber treads	Six blades made from glass-filled nylon	Direct drive permanent-magnet motor provides whisper-quiet operation Infinite variable speed control	Power cord and plug fits standard power outlets	IPX5	3 years	Black and yellow Custom colors available



Direct-drive permanent magnet motor



¹ Fans are sound tested at maximum speed in a laboratory environment. Actual results in field conditions may vary due to sound reflecting surfaces and environmental conditions.

² Not for use in salt air environments.

Lead times may vary. See full warranty for coverage information.



USA
BIGASSFANS.COM
877-244-3267

CANADA
BIGASSFANS.COM/CA
844-924-4277

AUSTRALIA
BIGASSFANS.COM/AU
1300 244 277

SINGAPORE
BIGASSFANS.COM/SG
65 6709 8500

MALAYSIA
BIGASSFANS.COM/SG
603 5565 0888

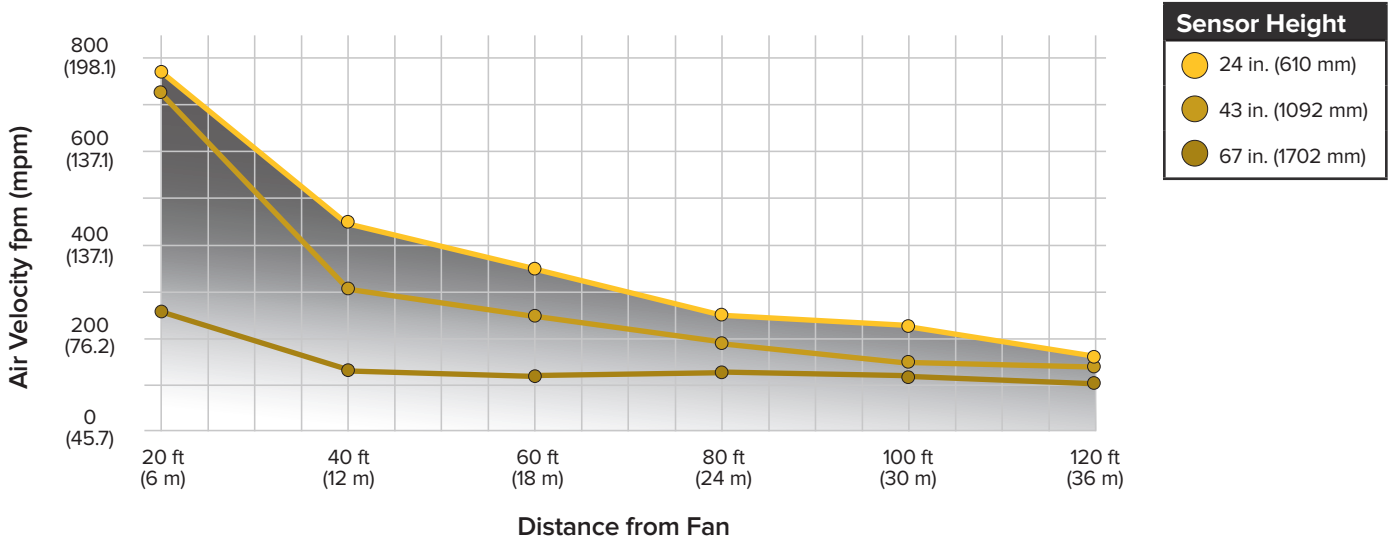
SIDEKICK

AIRFLOW



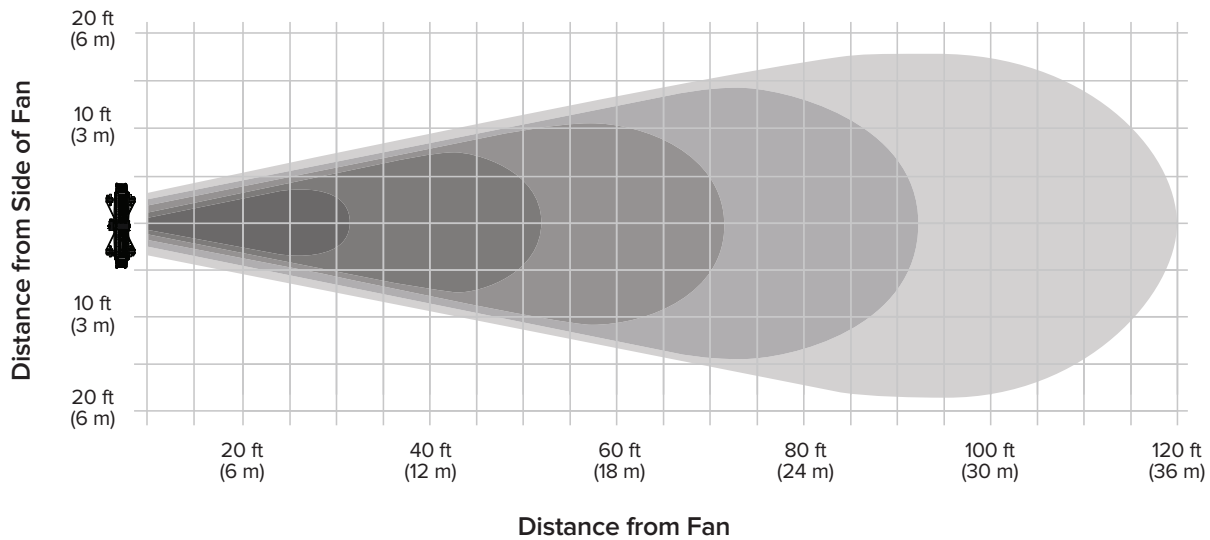
AIRFLOW VELOCITY

The three lines show air velocity from the center of the fan at three sensors of varying height.



AIRFLOW DISTANCE

Shaded areas represent cooling up to 120 feet (36.6 meters). That's one-third the length of a football field! Darker shading indicates faster air velocity.



USA
BIGASSFANS.COM
877-244-3267

CANADA
BIGASSFANS.COM
844-924-4277

AUSTRALIA
BIGASSFANS.COM/AU
1300 244 277

SINGAPORE
BIGASSFANS.COM/SG
65 6709 8500

MALAYSIA
BIGASSFANS.COM/SG
603 5565 0888